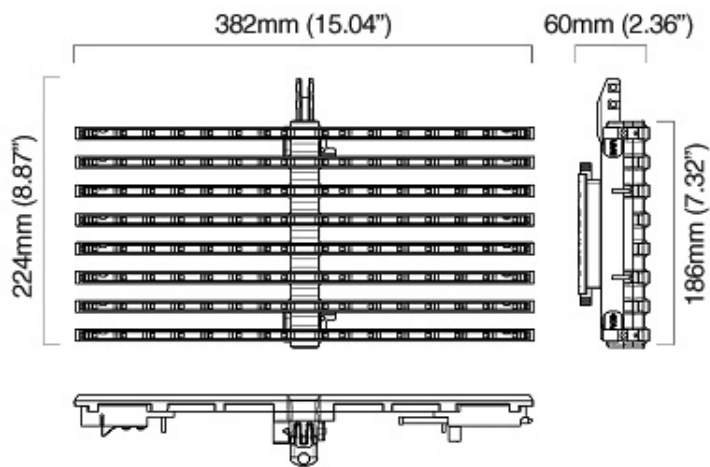


# Barco MiTRIX



<b>Pixel Pitch</b>	24 mm
<b>Brightness</b>	3000 Nit
<b>LED configuration</b>	3-in1 SMD
<b>Viewing angle</b>	>145°(Horizontal/vertical)
<b>Transparency</b>	55%
<b>Power Consumption</b>	50w/Tile
<b>Weight/Tile</b>	1.3 kg
<b>Processing</b>	16-bit per colour @ 50Hz
<b>Refresh rate</b>	800Hz min (PAL/NTSC)
<b>Truss build-up</b>	Max. 48 tiles high (9,2m)
<b>Protection rating</b>	IP65
<b>Operating temperature range</b>	24 MiTRIX tiles per controller (typical video content) : -20° to +40°
<b>D320 input compatibility</b>	Data DVI up to UXGA, SDI, HD-SDI, S-video, composite, YUV

**MiTRIX** is lightweight very bright delivering 3000 nit

**MiTRIX** is weatherproof and is suitable for both indoor and outdoor operation (IP65)

**MiTRIX** is highly transparent